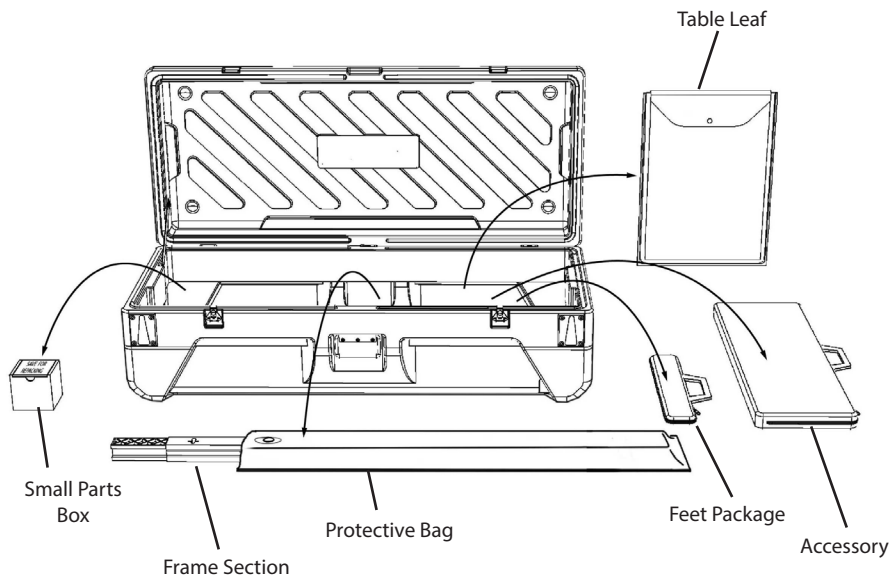


Amplify™ Display System Instructions

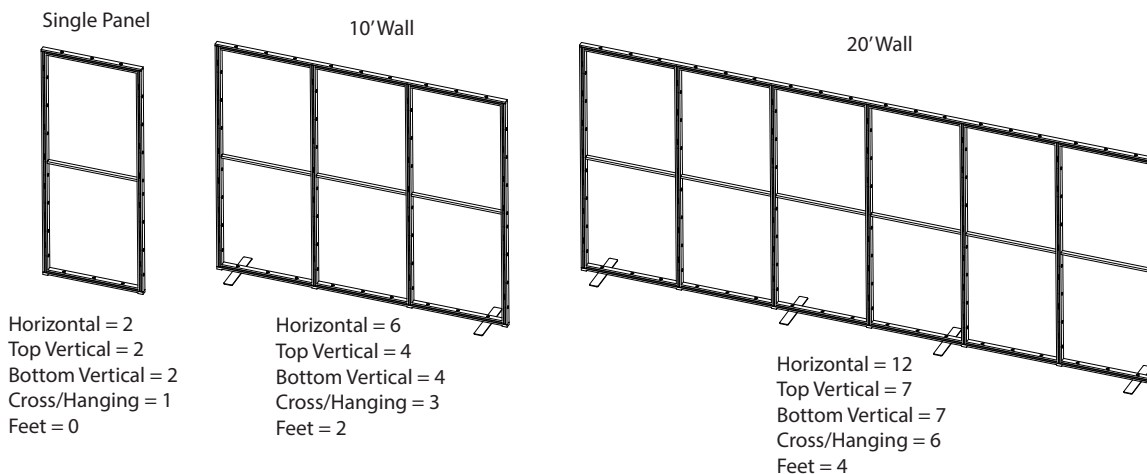
Table of Contents

Packing & Unpacking.....	1
Standard Kits.....	1
Component Identification.....	2
Primary Components	
Vertical Pole Top	2
Vertical Pole Bottom	2
Horizontal	2
Cross/Hanging Bar	2
Amplify Shelf Package Single	2
Amplify Foot	2
Corner Post.....	2
Amplify Monitor Mount.....	2
Corner Bracket w/ Thumb Screws	2
Amplify Peg Board.....	2
Double Sided Monitor Mount Adaptor Brkts. .	2
LED Arm Light.....	2
Heavy Duty Foot.....	2
End Cap	2
Wire Management Clip	2
Assembly	
Base & Foot Assembly	3
Bottom Frame Vertical Installation	3
Top Frame Vertical Installation.....	4
Top Horizontal Installation.....	4
Cross/Hanger Installation	5
Fabric Panel	6
Fabric Installation Tool	7
Accessories	
Shelf	8
Monitor Mount	8
Peg Board	8
Wire management clip	8
LED Arm Light	9
Heavy Duty Foot.....	9
Corner Connector	9
Corner Post	9
End Cap	9
Double sided Monitor Mount	10
Case Table	11

Packing & Unpacking



Standard Kits



Amplify™ Display System Instructions

Component Identification



Vertical Pole
Top



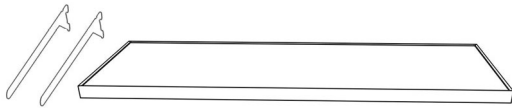
Vertical Pole
Bottom



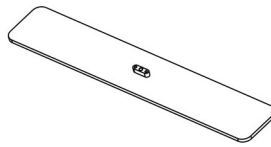
Horizontal



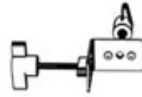
Cross/Hanging
Bar



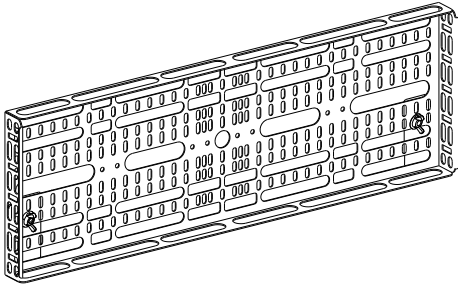
Amplify Shelf Package Single



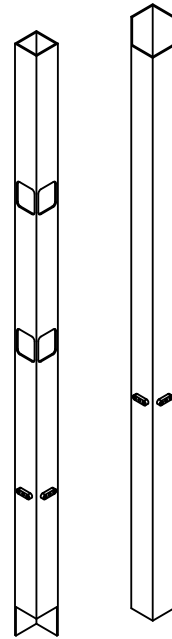
Amplify Foot



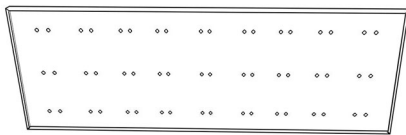
Corner Bracket
w/ Thumb Screws



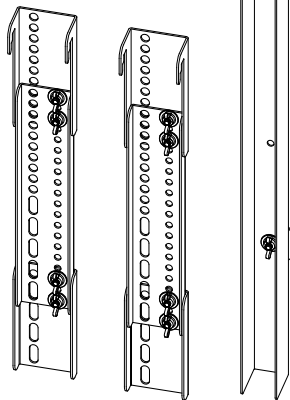
Amplify Monitor Mount



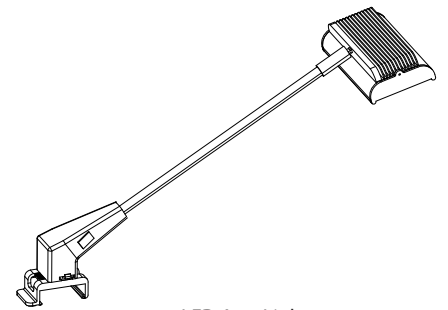
Corner Post



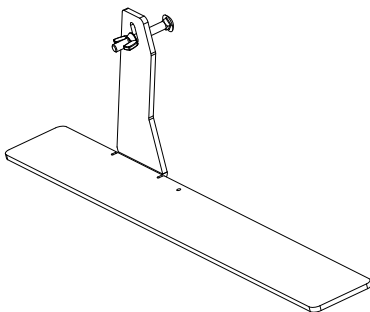
Amplify Peg Board



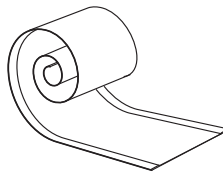
Double Sided Monitor Mount
Adaptor Brackets



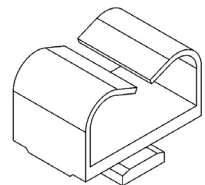
LED Arm Light



Heavy Duty Foot



End Cap



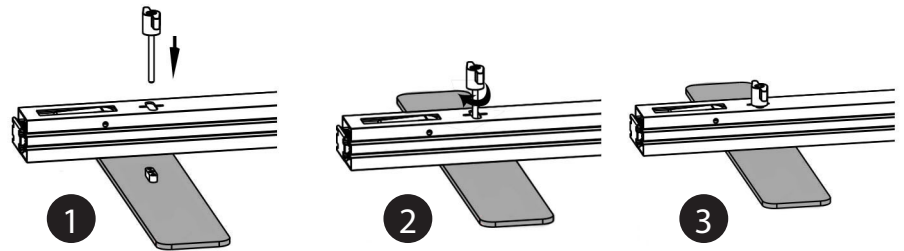
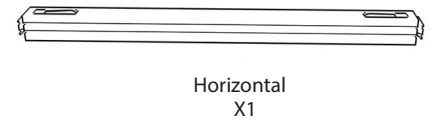
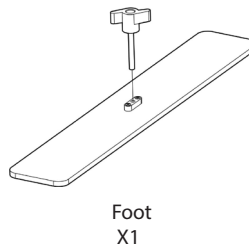
Wire Management Clip

Amplify™ Display System Instructions

Assembly

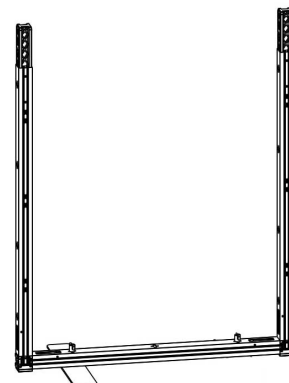
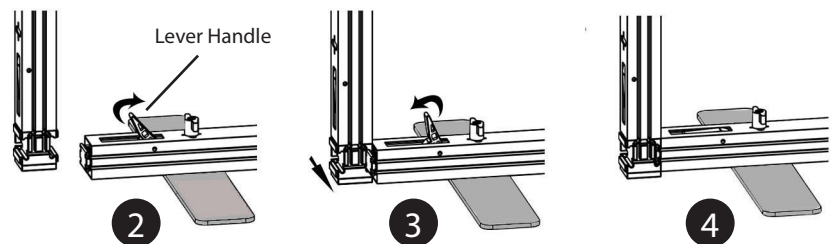
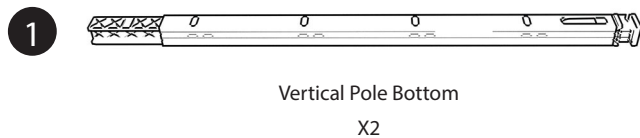
Base & Foot Assembly

1. Identify foot and horizontal tube.
2. Align through hole in horizontal tube with silver protrusion on top of foot and place horizontal tube onto foot.
3. Engage thumbscrew through hole in horizontal tube into foot and turn right until tight.



Bottom Frame Vertical Installation

1. Identify bottom vertical poles.
2. Open lever handle on end of horizontal tube by pulling outward.
3. Insert end of horizontal tube perpendicularly into end of bottom vertical pole, and align so both tubes are flush.
4. Secure joint by pushing level handle back inward.



Amplify™ Display System Instructions

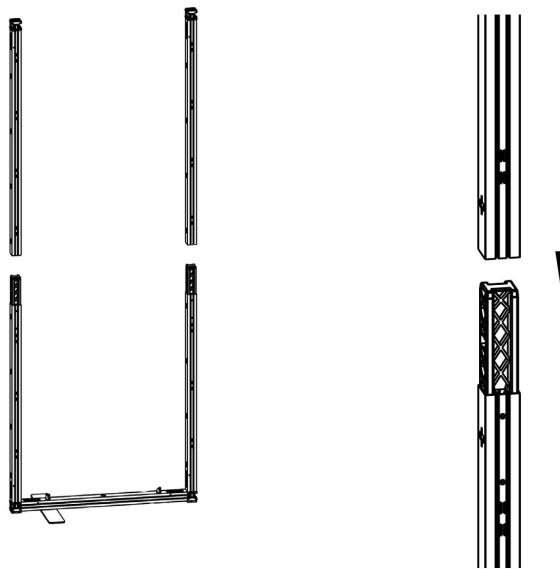
Top Frame Vertical Installation

1. Locate top vertical poles and stack openside of tube into bottom vertical.



Vertical Pole Top

X2



1

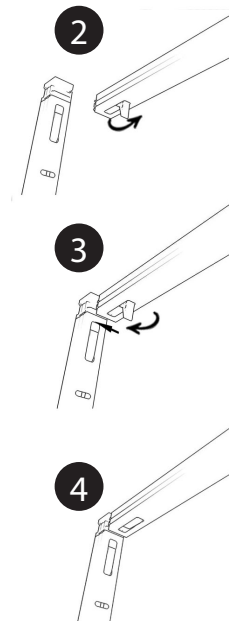
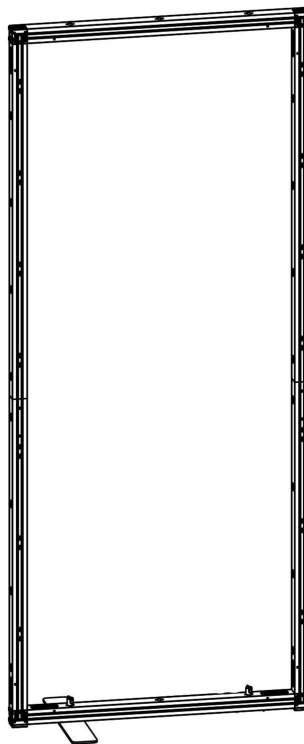


Horizontal

X1

Top Horizontal Installation

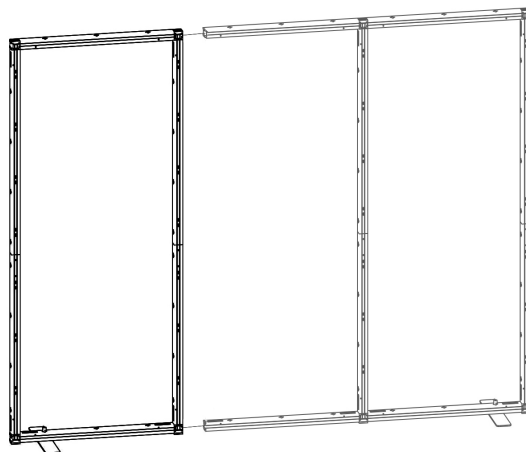
1. Identify horizontal tubes.
2. Open lever handle on end of horizontal tube by pulling outward.
3. Insert end of horizontal tube perpendicularly into end of top vertical pole, and align so both tubes are flush.
4. Secure joint by pushing lever handle back inward.



Amplify™ Display System Instructions

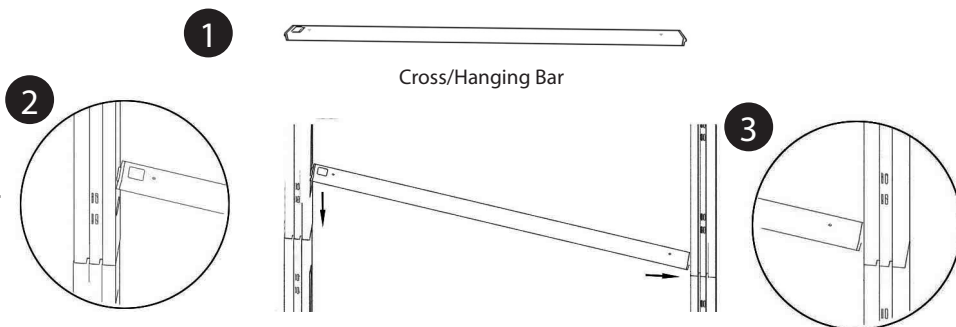
Continue Building

1. Repeat previous steps until your wall is complete.

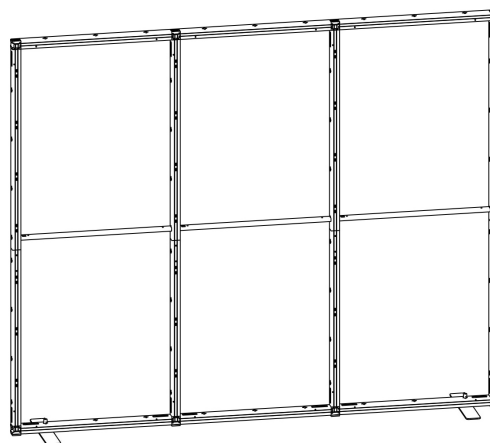


Cross/Hanger Bar Installation

1. Identify cross/hanging bars.
2. Insert one end of cross/hanging bar into side hole of vertical pole.
3. Pivot opposite end of spanner into adjacent vertical pole.



Repeat this step for all cells.

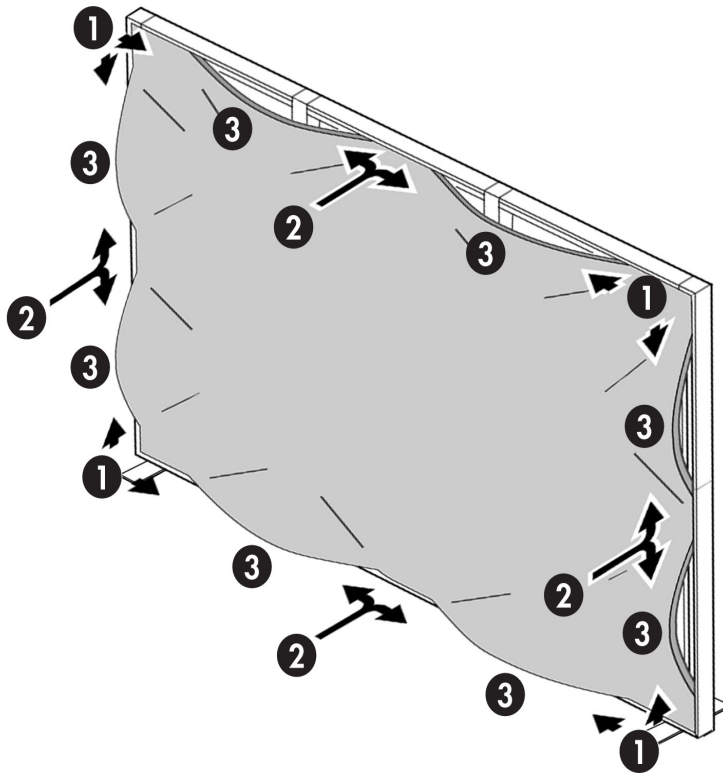


Amplify™ Display System Instructions

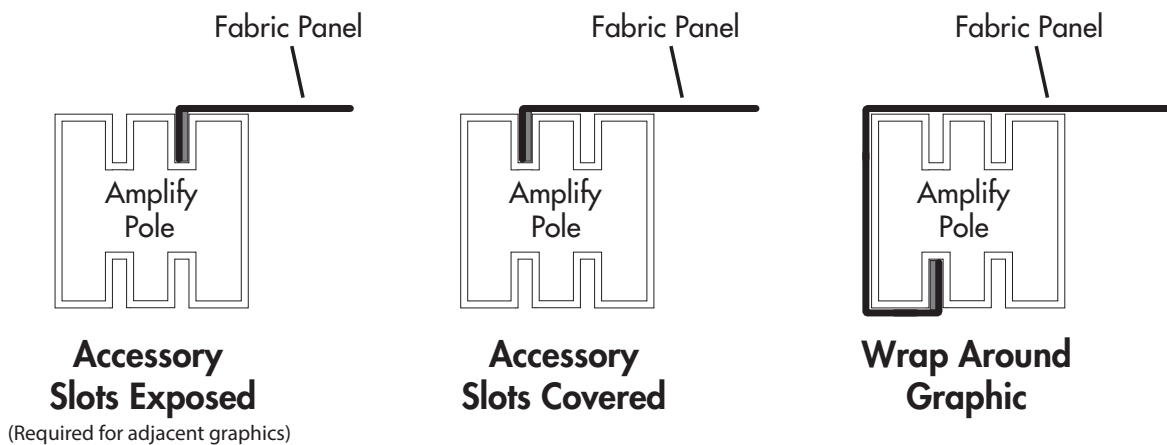
Fabric Panel

Fabric Installation

1. Start at the corners of the assembly. Work the silicone edge of the panel into the extrusion at each corner.
2. Press the FlexLock™ edge of the panel into the extrusion near the middle of each extrusion.
3. Work the panel into the extrusion from the corners inward and the middle outward.
4. To Dismantle, lay frame assembly on floor covered with clean drop cloth provided. To help reduce wrinkling, carefully fold fabric panel and pack into fabric panel storage bag.



Graphic Installation Options

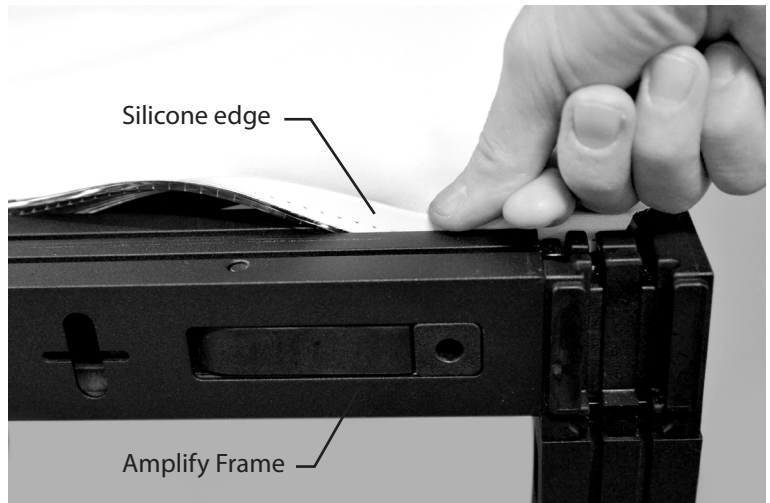
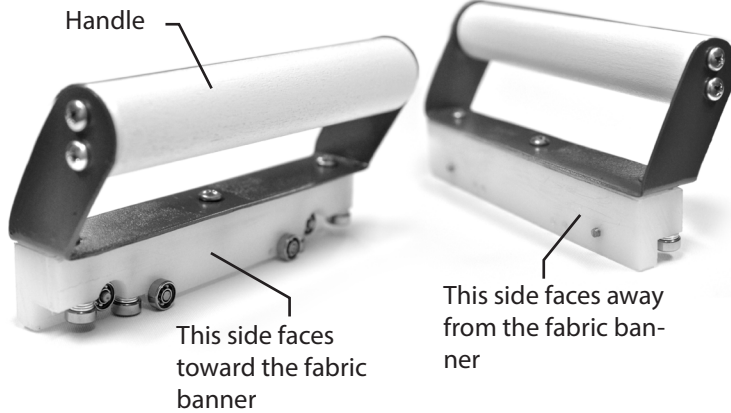


* Note: These options must be identified before your graphic is produced for appropriate fabric tension and appearance and may be different on each graphic side.

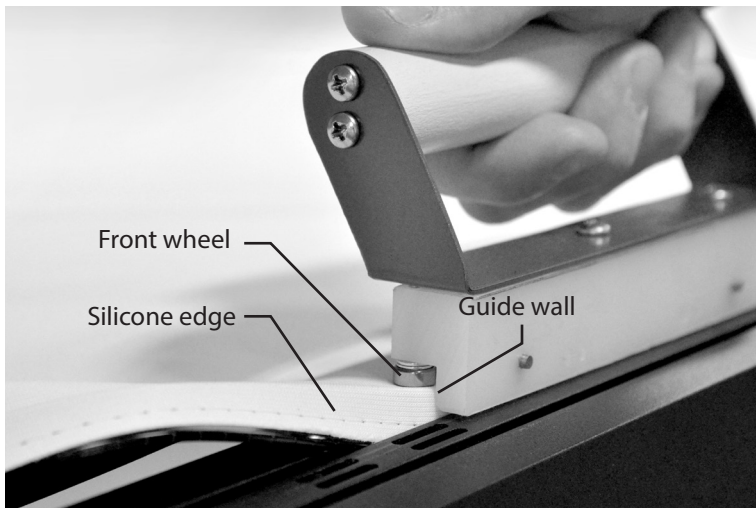
** Note: If graphic is difficult to install, remove cross/hanger bar(s) , install graphic and replace cross/hanger bar(s).

Amplify™ Display System Instructions

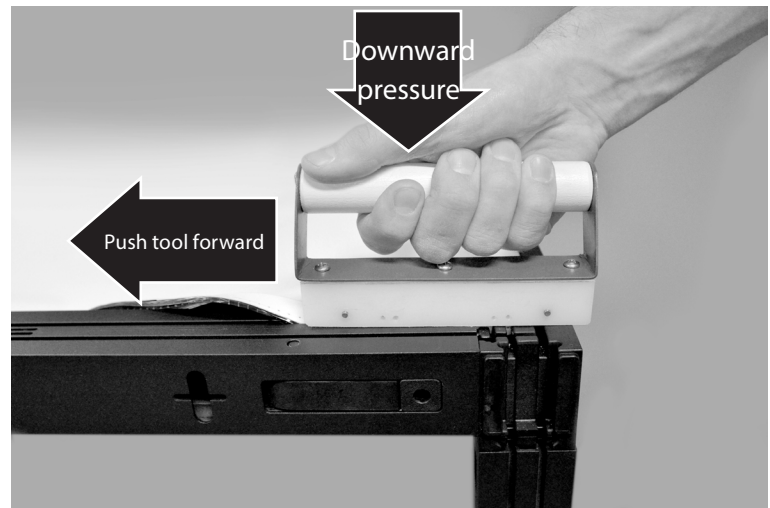
Fabric Instalation Tool



1. Start at all four the corners of the assembly. Work the silicone edge of the banner into the groove in the extrusion for the first 6 inches. (Graphic can be attached while frame is laying on the ground or standing up.)



2. Place the tool onto the installed portion of the fabric banner so the smooth side of the tool faces away from the banner. Align the tool down the center of the installed silicone edge so it lies between the front wheel and guide wall.



3. Apply pressure in towards the frame and push the tool forward. It should fully insert the silicone edge as it goes. If the tool begins to skip along the edge, repeat the section with steady inward pressure.

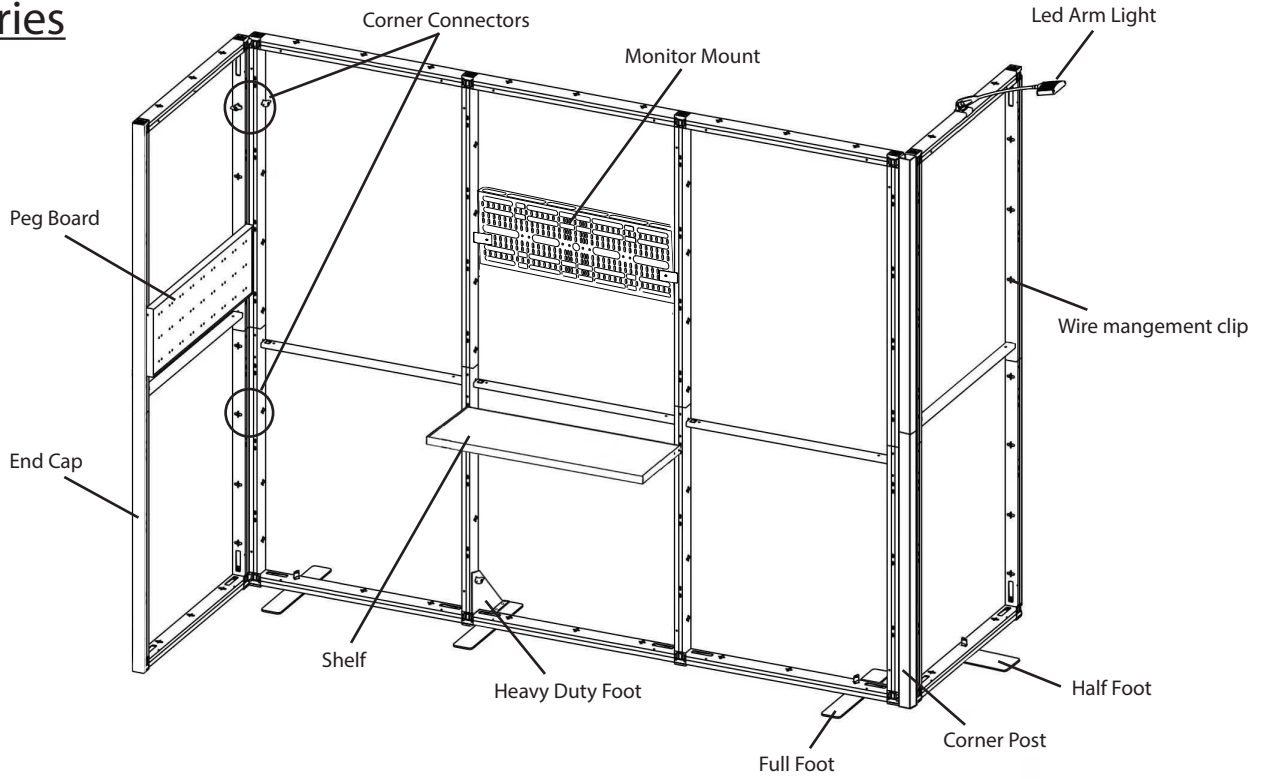


Front view of installing fabric with tool

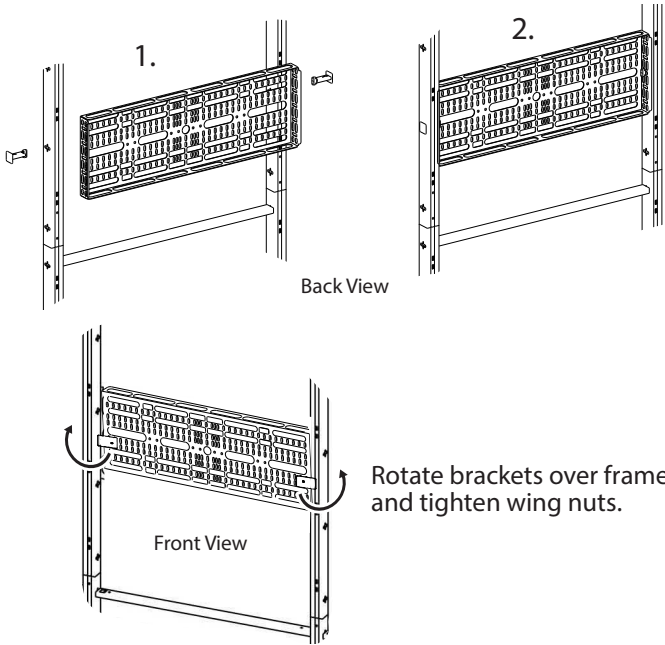


Amplify™ Display System Instructions

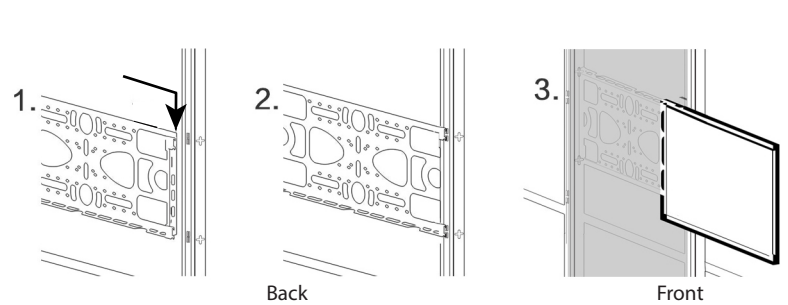
Accessories



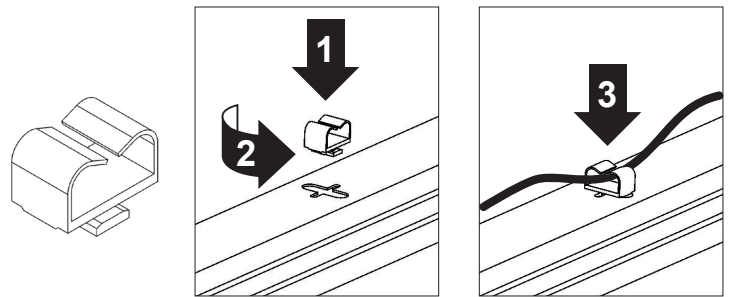
Monitor Mount - Introduced on 10/8/2019



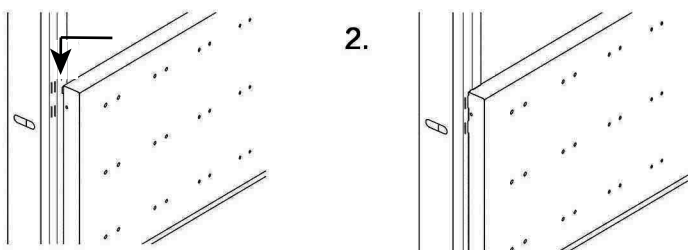
Monitor Mount - Introduce before 10/8/2019



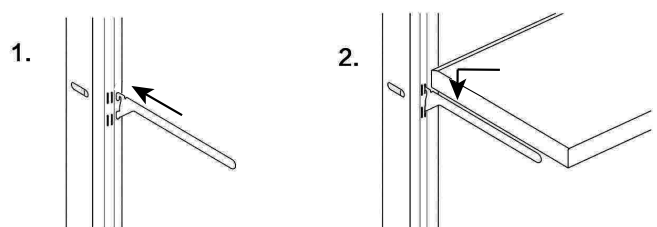
Wire Management Clip



Peg Board



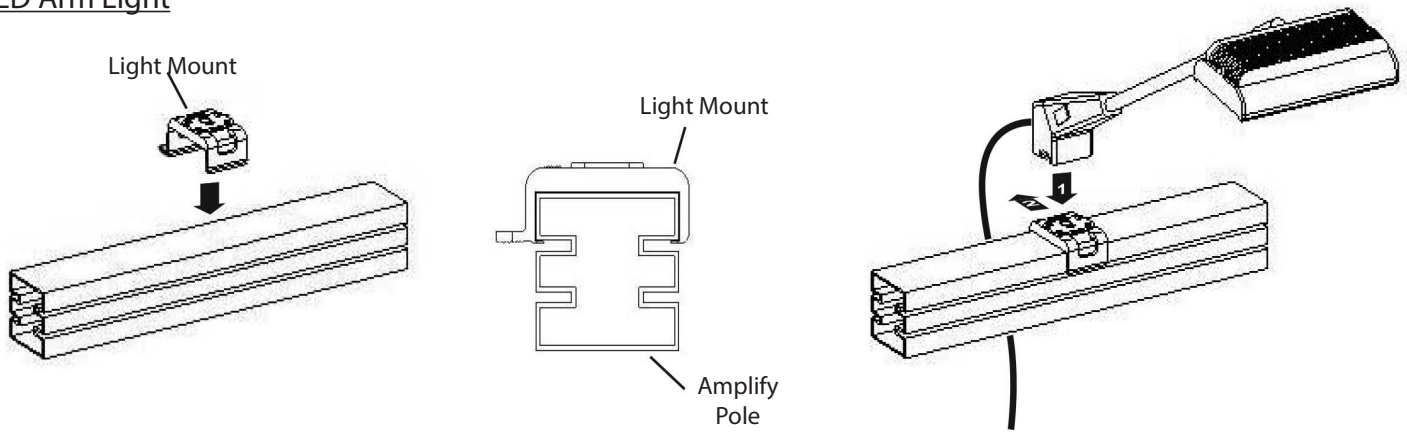
Shelf



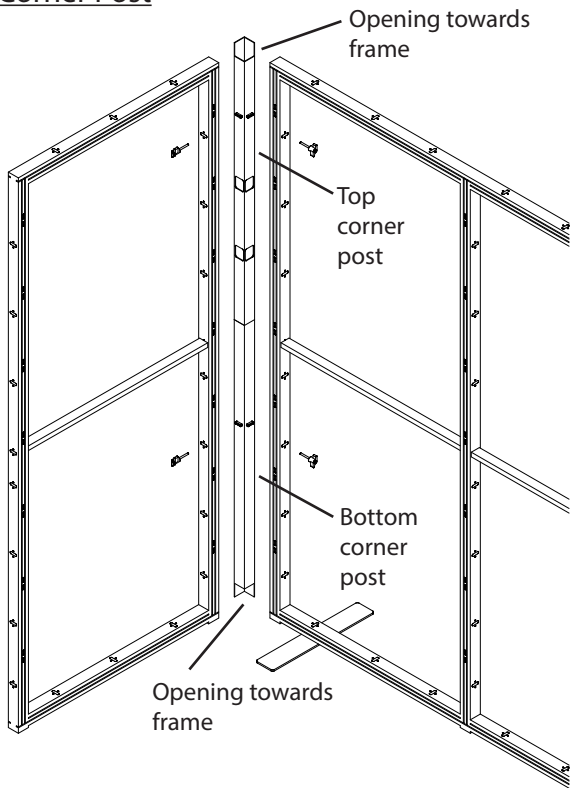
Amplify™ Display System Instructions

Accessories

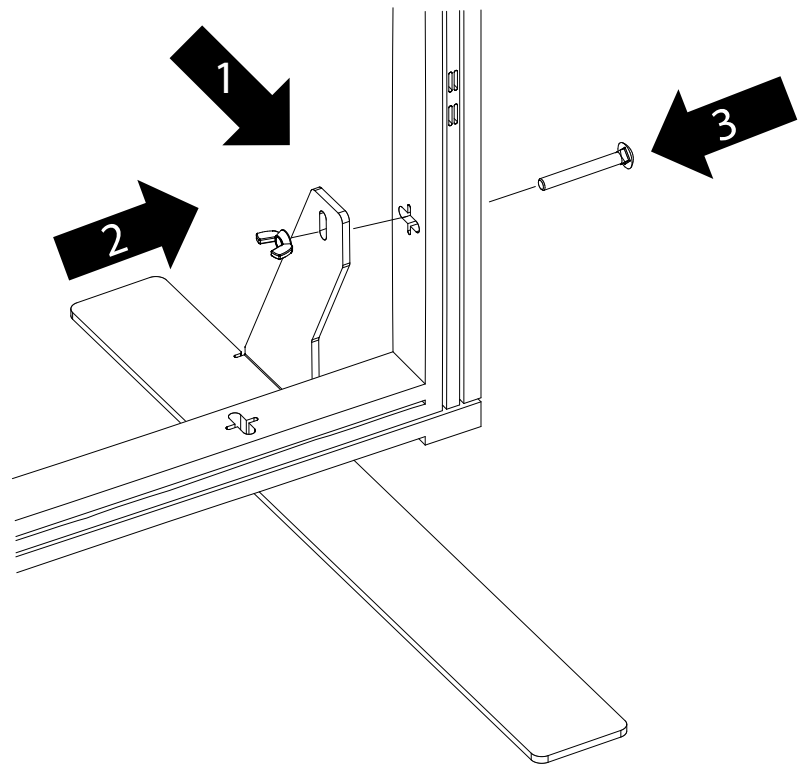
LED Arm Light



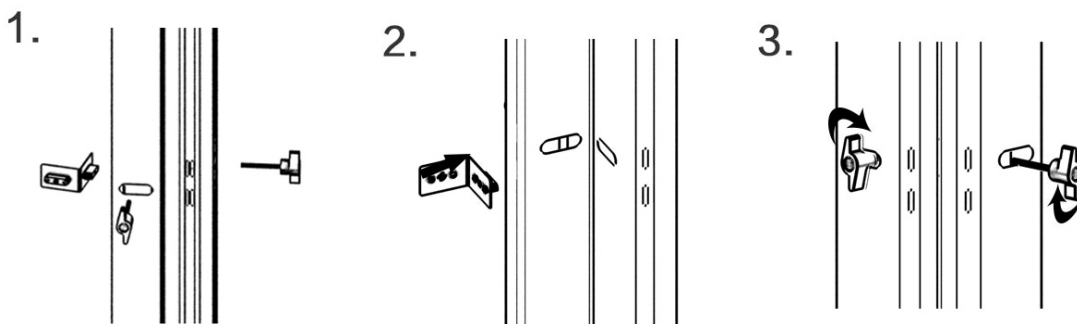
Corner Post



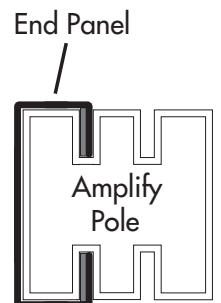
Heavy Duty Foot



Corner Connector



End Cap

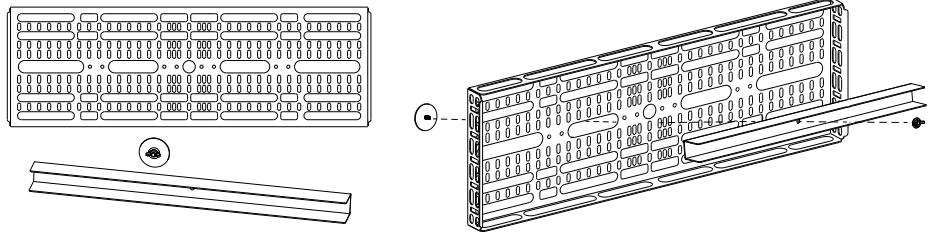


Accessories

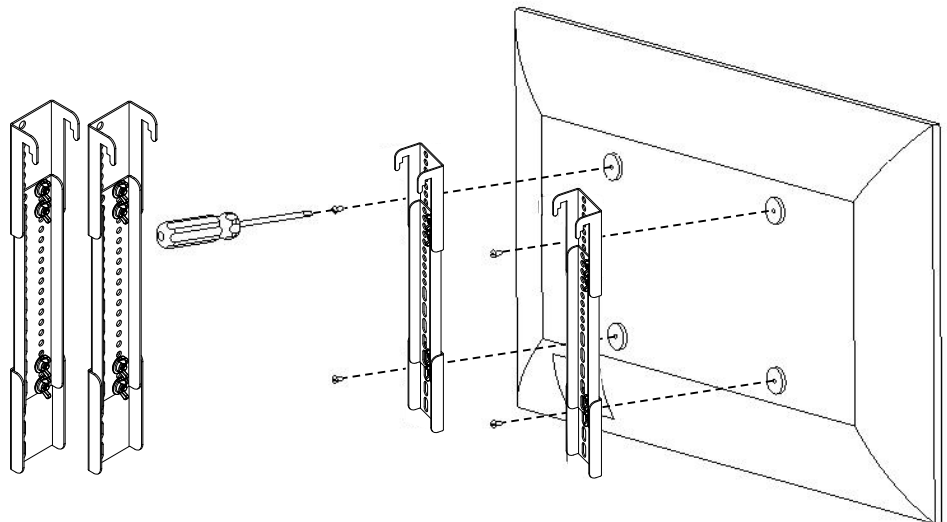
Double Sided Monitor Mount

1. Identify standard monitor mount, adaptor brace, washer/stud assembly and wing nut.

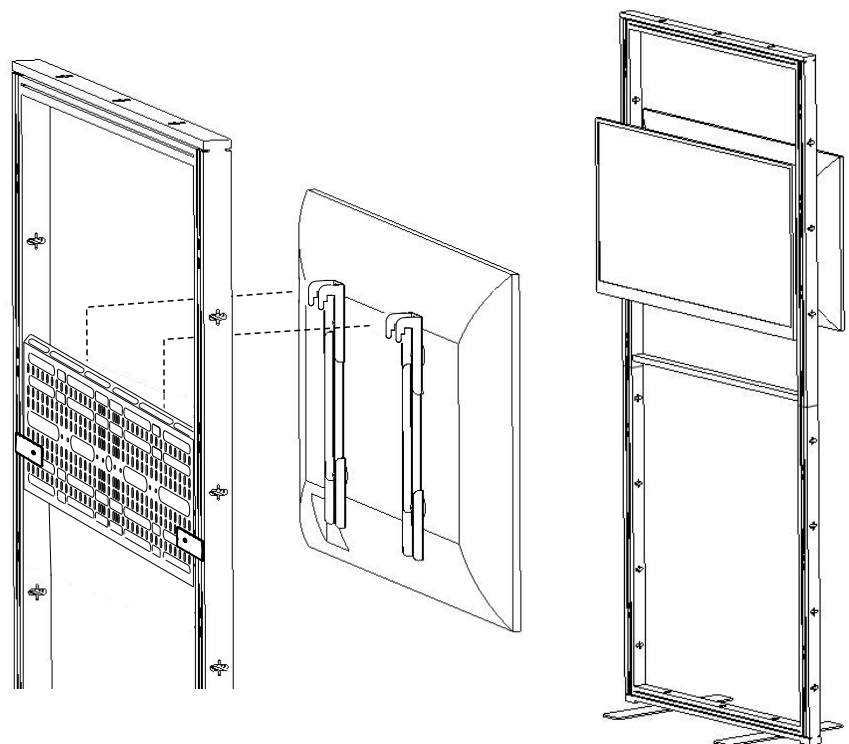
2. Fasten adaptor brace to back of the monitor mount using washer/stud assembly and wing nut. The adaptor brace should be level with the monitor mount.



3. Identify monitor mounting hooks.
4. Fasten monitor mounting hooks to monitor by screw hooks into the holes in the back of the monitor.



5. Install standard monitor mount with adaptor brace onto the back of the frame (see page 7).
6. Rest mounting hooks on installed monitor mount. Ensure hooks are fully seated on. A second monitor may be mounted on the opposite side by repeating steps 3-6.



Amplify™ Display System

